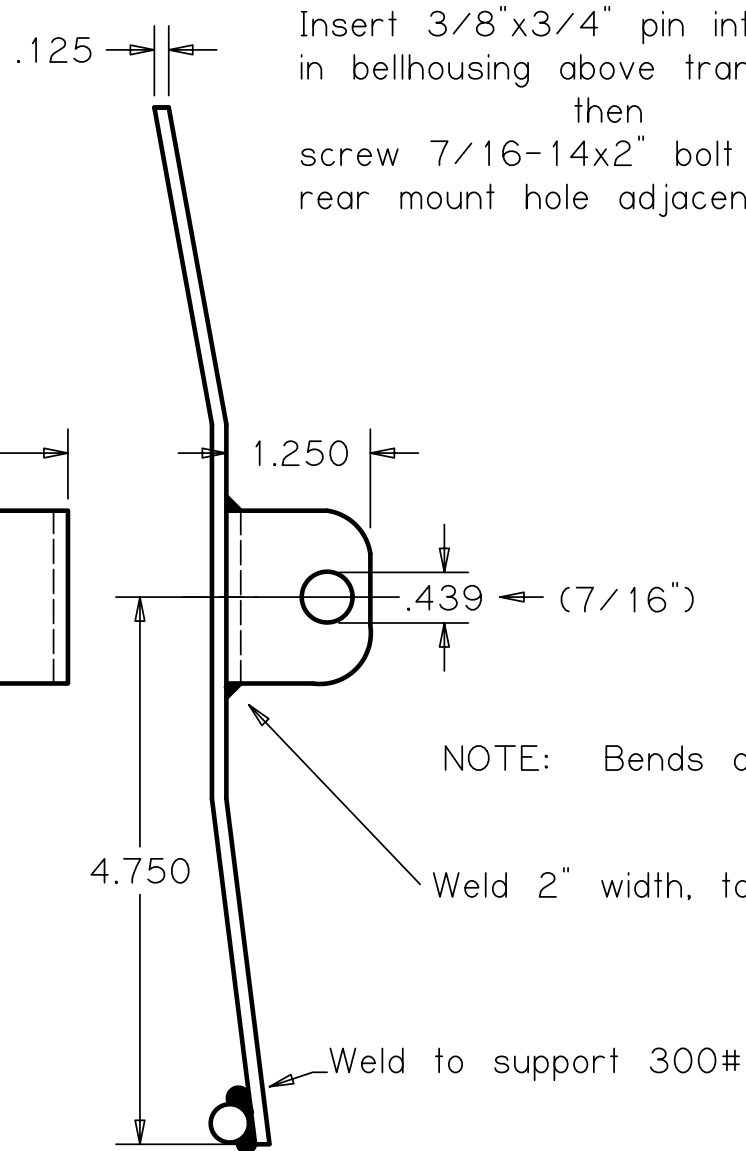
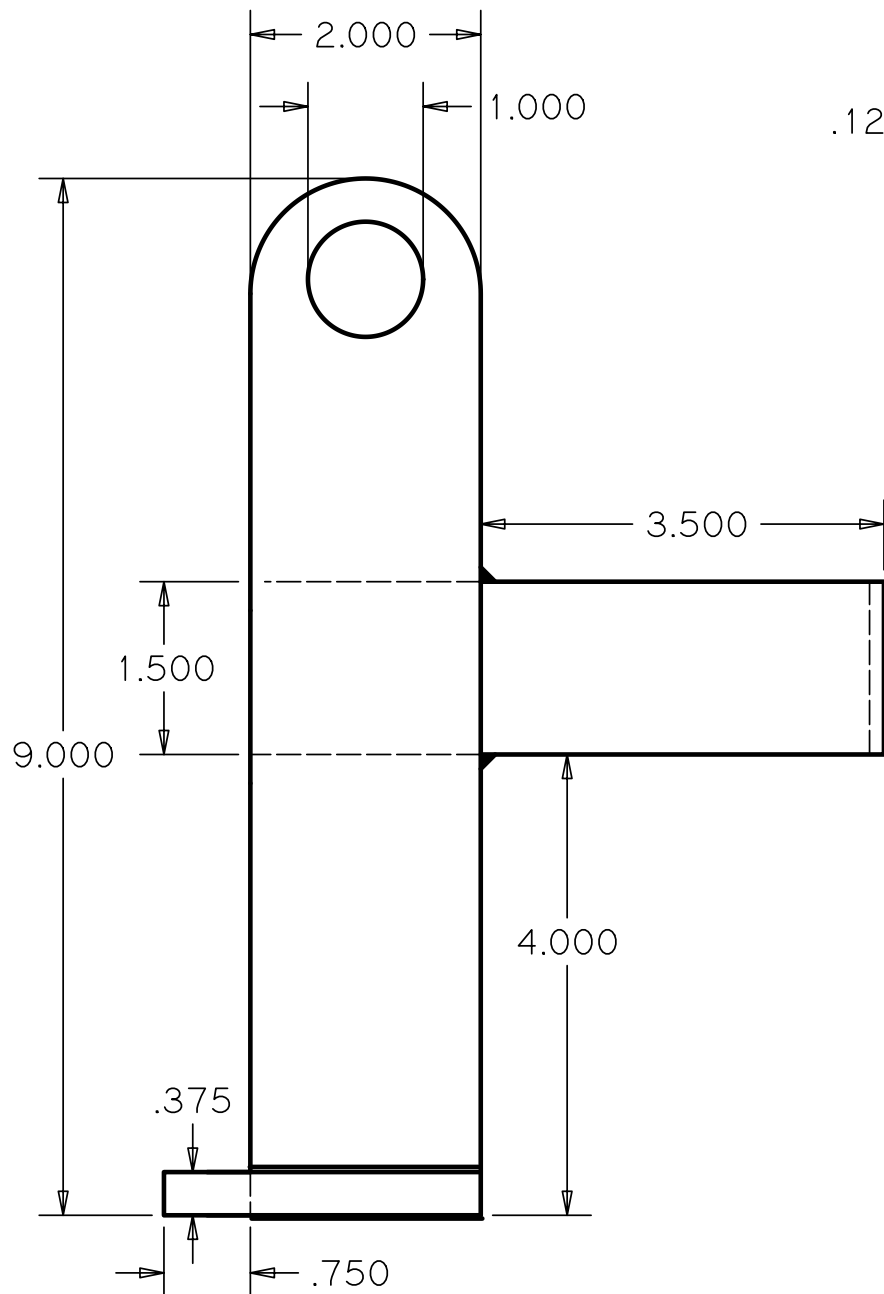


TH425 Transmission Lifting Device



By Ken Henderson 1 Mar 2011