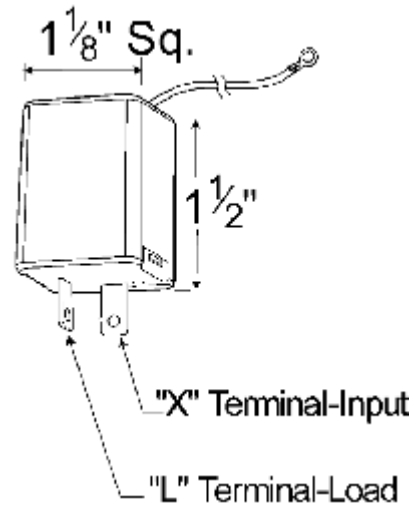




www.grote.com U.S. 800.457.9540 Canada 800.268.5612

Variable-Load Electronic LED Flasher



PRODUCT NUMBER

2 TERMINAL:
44891 - Flasher

FMVSS:

J945, J590
Voltage Amp: 12V - 1A to 20A; 1 to 10
Lamp Load (Incandescent)

FEATURES & BENEFITS

- 60 to 120 flashes per minute
- Heavy-duty contacts; external wire provides ground
- Steady flash rate for all LED and incandescent loads
- Fits in round flasher socket
- Flash rate is electronically controlled

OTHER PRODUCT NUMBERS

3 TERMINAL (Pilot):
[44890](#) - Flasher

INDUSTRY-WIDE INTERCHANGE

Company	Finish, Design, Function and Mounting	Function and Mounting
Signal Stat	--	285
Truck-Lite	--	285
Velvac	091225	--